

X3900

Ball valve

Shut off system

Technical Data Sheet



Description

- Casing and ball in stainless steel 316
- PTFE seal
- Full bore
- Female / female connection
- ISO 5211 top connection
- Handle with locking system



X3900

Ball valve - Shut off system

DN		PFA in bar	PS in bar				Cat.	Ref.	Weight Kg
"	mm		L1	L2	G1	G2			
1/2	15	63	63	63	63	63	3,3	149B12078	0,65
3/4	20	63	63	63	63	63	3,3	149B12079	0,84
1	25	63	63	63	63	63	3,3	149B12080	1,50
1 1/4	32	63	62	63	x	63	3,3	149B12081	1,97
1 1/2	40	63	50	63	x	25	3,3	149B12082	2,88
2	50	63	40	63	x	20	3,3	149B12083	4,40
2 1/2	65	40	30	40	x	15	3,3	149B12084	9,65
3	80	40	25	40	x	12	3,3	149B12085	12,74

Important notice :

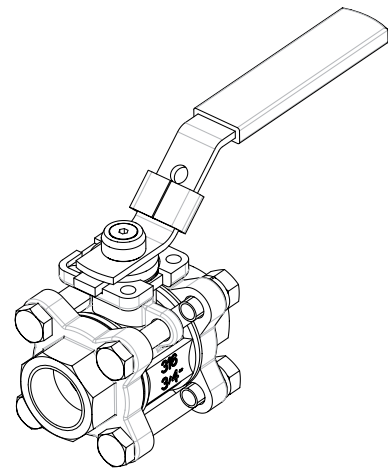
The indicated pressure for the different categories of fluids (L1/L2/G1/G2) is under no condition a guarantee of use. Therefore, it is essential to validate the use of products under given operating conditions.

Technical features

Operating temperature	-20 °C to 100 °C
Permissible operating pressure (PFA) in water	See table above
Maximum permissible pressure (PS) other mediums	See table above
Connection	Female / female, (BSP)
Mediums	Neutral gas and liquids, viscosity up to 120 mm ² /s

Nomenclature and materials

N°	Description	Materials	EURO	ANSI
1	Body	Stainless steel	AISI 316	1,4408
2	Ball	Stainless steel	AISI 316	1,4408
3	Shaft	Stainless steel	AISI 316	1,4401
4	Ball seal	PTFE		
5	Shaft seal	DN 15-50 mm	PTFE+FKM	
		DN 65-80 mm	PTFE	
6	Hand lever	Stainless steel		

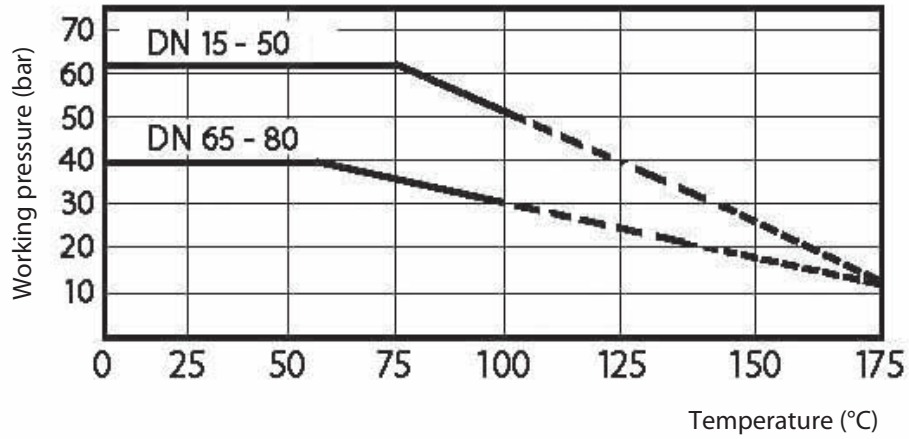


Application

Industry, high pressure, high temperature.

Operation

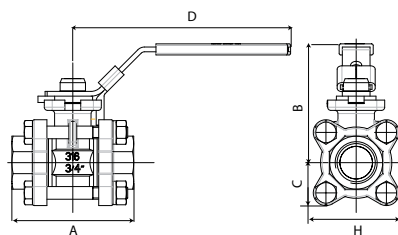
X3900 - Diagramme pressure / temperature



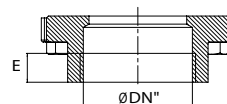
----- Please consult us

Sizing

DN		A	B	C	D	H	E
"	mm	mm	mm	mm	mm	mm	mm
1/2	15	70	72	24	138	49	13
3/4	20	77	75	27	138	54	15
1	25	92	83	33	169	66	18
1 1/4	32	105	88	36	169	73	20
1 1/2	40	120	114	41	219	82	21
2	50	141	123	50	219	100	24
2 1/2	65	185	160	64	262	128	29
3	80	205	168	70	262	139	32



X3900



The descriptions and photographs contained in this product specification sheet are supplied by way of information only and are not binding.

Socla reserves the right to carry out any technical and design improvements to its products without prior notice. Warranty : All sales and contracts for sale are expressly conditioned on the buyer's assent to Socla terms and conditions found on its website at www.socla.com. Socla hereby objects to any term, different from or additional to Socla terms, contained in any buyer communication in any form, unless agreed to in a writing signed by an officer of Socla.



A WATTS Brand

Socla sas

365 rue du Lieutenant Putier • 71530 Virey-Le-Grand • France

Tel. +33 03 85 97 42 00 • Fax +33 03 85 97 42 42

contact@wattswater.com • www.socla.com

ISO 9001 version 2015 / ISO 18001