

# X3777 B

Ball valve

Shut off system

## Technical Data Sheet



## Description

The Ball valve X3777 B can equip all types of installations. it's a ball valves particularly suitable for smaller sizes.

- 3-piece ball valve
- Full bore
- Handle can be locked in open or closed position



### X3777 B

Ball valve - Shut off system

DN		PFA in bar	PS in bar				Cat.	Ref.	Weight Kg
"	mm		L1	L2	G1	G2			
1/4	8	63	63	63	63	63	4.3	<b>149B12526B</b>	0,39
3/8	10	63	63	63	63	63	4.3	<b>149B12527B</b>	0,40
1/2	15	63	63	63	63	63	4.3	<b>149B12528B</b>	0,41
3/4	20	63	63	63	63	63	4.3	<b>149B12529B</b>	0,69
1	25	63	63	63	63	63	4.3	<b>149B12530B</b>	0,93
1 1/4	32	63	63	63	0,5	63	4.3	<b>149B12531B</b>	1,62
1 1/2	40	63	63	63	0,5	25	4.3	<b>149B12532B</b>	2,33
2	50	40	40	40	0,5	20	4.3	<b>149B12533B</b>	3,26
2 1/2	65	25	25	25	0,5	15	4.3	<b>149B12534B</b>	6,81
3	80	25	25	25	0,5	12	4.3	<b>149B12535B</b>	11,40
4	100	25	20	25	0,5	10	4.3	<b>149B12536B</b>	19,70

#### Important notice :

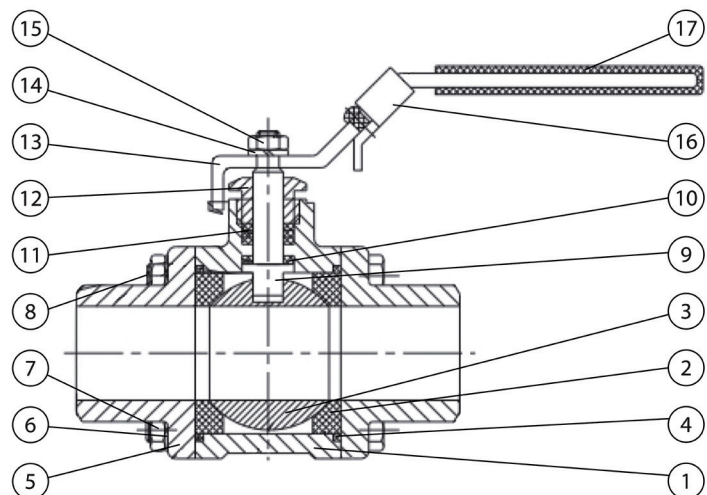
The indicated pressure for the different categories of fluids (L1/L2/G1/G2) is under no condition a guarantee of use. Therefore, it is essential to validate the use of products under given operating conditions.

#### Technical features

Operating temperature	-25°C to 180°C
Permissible operating pressure (PFA) in water	See table above and Pressure/Temperature diagram
Maximum permissible pressure (PS) other mediums	See table above and Pressure/Temperature diagram (L1 only)
Connection	Butt welding
Mediums	Various fluids, water

#### Nomenclature and materials

N°	Description	Materials
1	Body	CF8M
2	Ball Seat	R-PTFE
3	Ball	SS316
4	Body gasket	PTFE
5	Cap	CF8M
6	Spring Washer	SS304
7	Nut	SS304
8	Bolt	SS304
9	Stem	SS316
10	Thrust washer	PTFE
11	Stem packing	PTFE
12	Gland nut	SS304
13	Handle	SS304
14	Spring washer	SS304
15	Nut	SS304
16	Lock device	SS304
17	Handle cover	Plastic



## Approvals

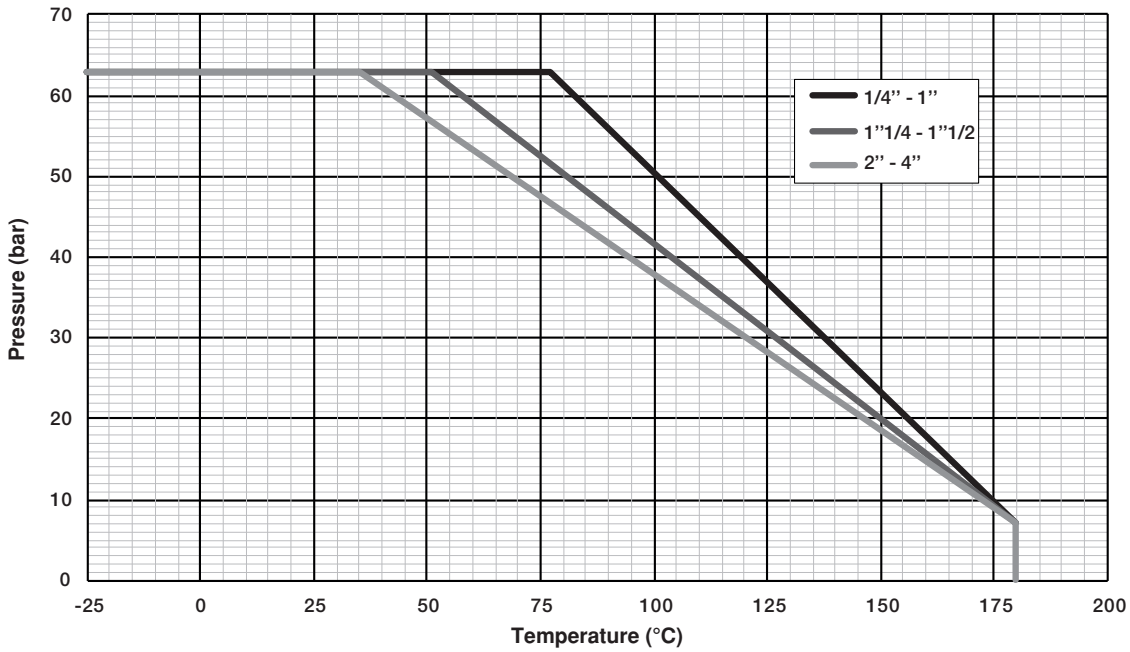
**International construction Standards :**  
Directive 2014/68/UE

## Application

Industry, high pressure, high temperature.

## Operation

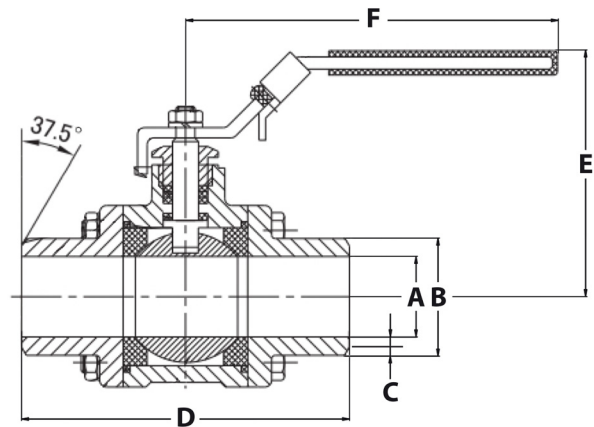
**X3777 B** - Pressure / Temperature diagram



Medium : Water - Liquid L1

## Sizing

DN		A	B	C	D	E	F
"	mm	mm	mm	mm	mm	mm	mm
1/4	8	11	18.1	1.10	70	51	105
3/8	10	12,5	18.1	1.10	70	51	105
1/2	15	15	21.7	1.75	75	53	118
3/4	20	20	27.2	2.00	90	60	118
1	25	25	34	2.50	100	75	150
1 1/4	32	32	42.7	8.75	110	80	150
1 1/2	40	40	48.7	3.00	125	88	182
2	50	50	60.5	3.25	150	95	182
2 1/2	65	65	76	3.50	190	121	254
3	80	80	93	4.00	220	135	254
4	100	100	116	5.50	270	158	285



The descriptions and photographs contained in this product specification sheet are supplied by way of information only and are not binding.

Socla reserves the right to carry out any technical and design improvements to its products without prior notice. Warranty : All sales and contracts for sale are expressly conditioned on the buyer's assent to Socla terms and conditions found on its website at [www.socla.com](http://www.socla.com). Socla hereby objects to any term, different from or additional to Socla terms, contained in any buyer communication in any form, unless agreed to in a writing signed by an officer of Socla.



**A WATTS Brand**

**Socla sas**

365 rue du Lieutenant Putier • 71530 Virey-Le-Grand • France

Tel. +33 03 85 97 42 00 • Fax +33 03 85 97 42 42

[contact@wattswater.com](mailto:contact@wattswater.com) • [www.socla.com](http://www.socla.com)

ISO 9001 version 2015 / ISO 18001