

102PV

Non-return foot valve

02 System

Technical Data Sheet



Description

Valve with very wide range of applications. It prevents water hammering, it's noiseless and the quality-price ratio is optimal.

- Operates in any position from horizontal to vertical ascending
- Minimum head loss
- Compactness
- Exceptional robustness
- Closing system : long back axial guiding for reduced displacement
- Sealing guaranteed by a FKM flat seal
- Return spring



102PV

Non-return foot valve - 02 System

DN		PFA in bar	PS in bar				Cat.	Ref.	Weight Kg
"	mm		L1	L2	G1	G2			
2 1/2	65	16	16	16	x	x	4.3	149B2763	3
3	80	16	16	16	x	x	4.3	149B2764	5
4	100	16	16	16	x	x	4.3	149B2765	8

Important notice :

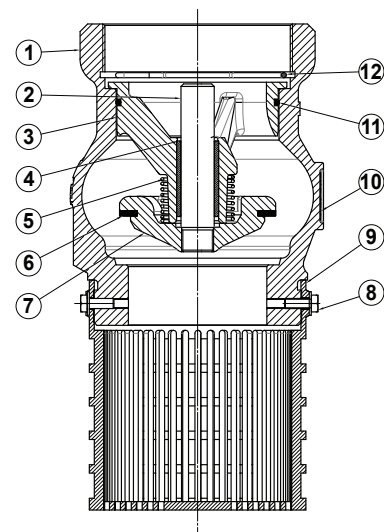
The indicated pressure for the different categories of fluids (L1/L2/G1/G2) is under no condition a guarantee of use. Therefore, it is essential to validate the use of products under given operating conditions. The operating instructions are available on our web site www.socla.com or by requesting from our sales department.

Technical features

Operating temperature	-10 °C to 80 °C
Permissible operating pressure (PFA) in water	See table above
Maximum permissible pressure (PS) other mediums	See table above
Connection	Female, G cylindrical gas thread (BSP)
Mediums	Clear liquids, hydrocarbons

Nomenclature and materials

N°	Description	Materials	EURO
1	Body	Cast iron / Epoxy	EN 1561 EN-GJL-250
2	Stem DN 4"	Bronze	EN 1982 CuSn5Zn5Pb2-C GS
3	Guide DN 2"1/2 Others DN	Bronze Cast iron / Epoxy	EN 1982 CuSn5Zn5Pb2-C GS EN 1561 EN-GJL-250
4	Bush	Bronze	EN 1982 CuSn5Zn5Pb2-C GS
5	Spring	Stainless steel	EN 10270-3 X10CrNi18-8
6	Seal	FKM	
7	Closing system DN 4" Others DN : one-piece	Cast iron / Epoxy Bronze	EN 1561 EN-GJL-250 EN 1982 CuSn5Zn5Pb2-C GS
8	Screw	Galvanised steel	
9	Strainer	PP (polypropylene)	
10	Rating plate		
11	O-ring seal	EPDM	
12	Snap ring	Stainless steel	EN10270-3 X10CrNi18-8



Approvals



International construction Standards :

Directive 2014/68/UE

Thread connection NF EN ISO228-1

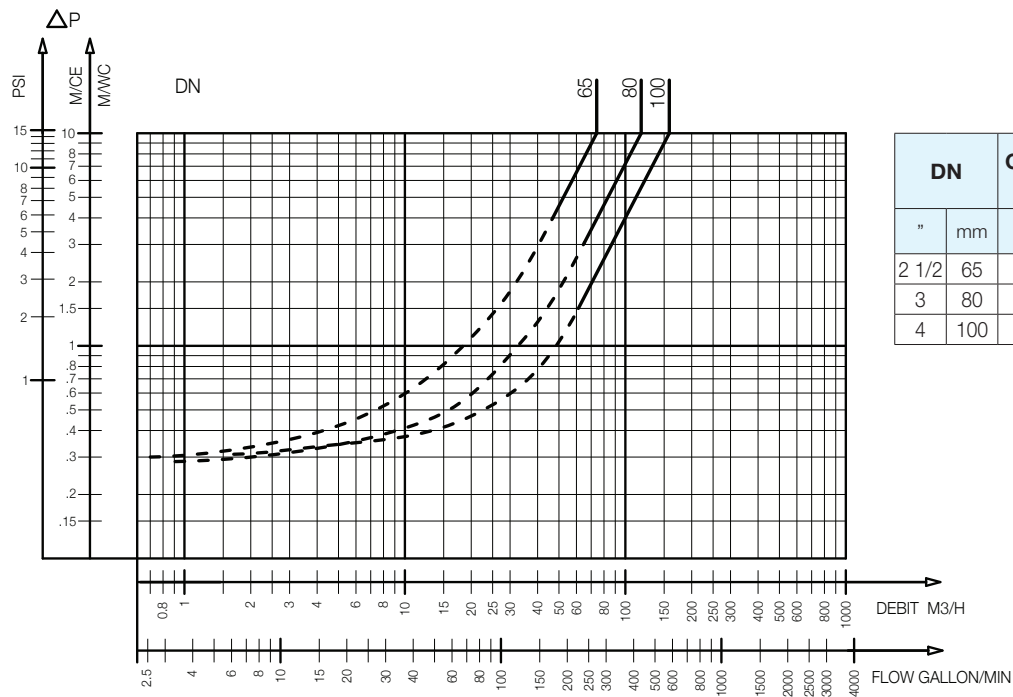
Application

Hydrocarbon pumping.

Operation

Direction for use :

- Solid line : Valve completely open
- Dotted line : opening stage of valve

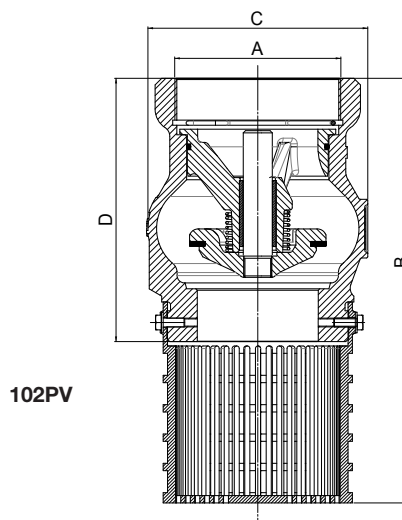


DN		Opening pressure in mm CE		Kv	ζ
"	mm	↑	Without spring	m ² /H	
2 1/2	65	230	110	74	5,20
3	80	240	130	139	3,40
4	100	280	130	158	6,40

102PV - Headloss chart

Sizing

	A	B	C	D
"	mm	mm	mm	mm
2 1/2	66/76	195	98,5	124
3	80/90	241	126	152
4	102/114	290	150	180



The descriptions and photographs contained in this product specification sheet are supplied by way of information only and are not binding.

Socla reserves the right to carry out any technical and design improvements to its products without prior notice. Warranty : All sales and contracts for sale are expressly conditioned on the buyer's assent to Socla terms and conditions found on its website at www.socla.com. Socla hereby objects to any term, different from or additional to Socla terms, contained in any buyer communication in any form, unless agreed to in a writing signed by an officer of Socla.



A WATTS Brand

Socla sas

365 rue du Lieutenant Putier • 71530 Virey-Le-Grand • France

Tel. +33 03 85 97 42 00 • Fax +33 03 85 97 42 42

contact@wattswater.com • www.socla.com

ISO 9001 / ISO 18001